

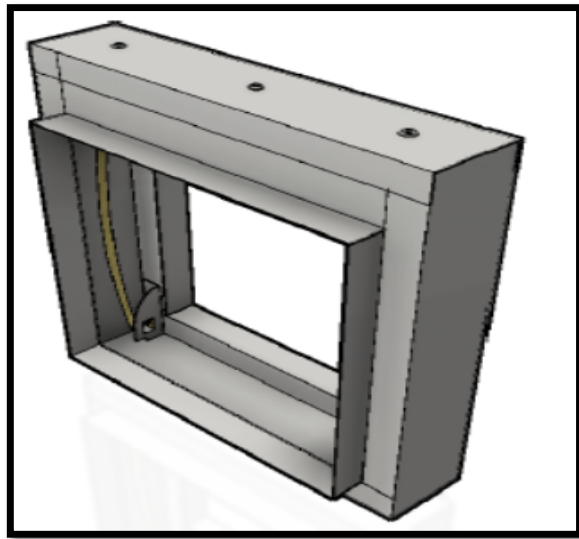
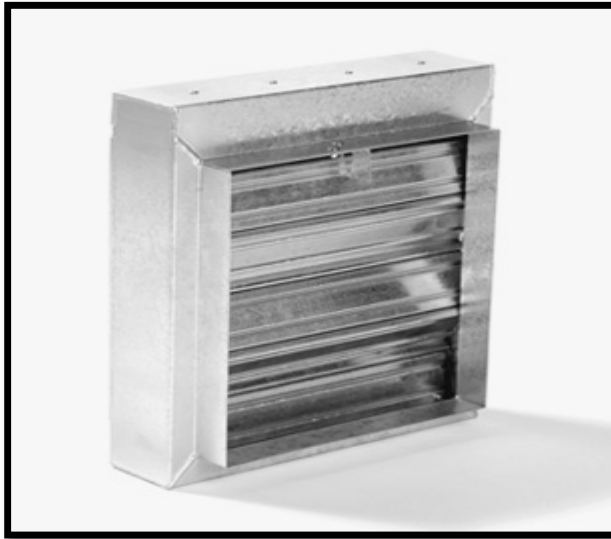


# MACS

AL MUTHATHAWERAH A/C SYSTEMS ACCESSORIES IND. CENTER L.L.C.

## CURTAIN FIRE DAMPER

### MACS-GC-B



### Standard Construction

<b>FRAME</b>	18 ga. (1.20mm) galvanized steel formed channel for flange connections.
<b>BLADES</b>	24 ga. (0.71mm) galvanized Steel "interlocking blades"
<b>FINISH</b>	Mill galvanized
<b>BLADE RAMP</b>	18 gauge galvanized steel.
<b>CLOSURE SPRINGS</b>	304 stainless steel Spring
<b>FUSIBLE LINK</b>	Standard 165°F. Others available.
<b>MOUNTING</b>	Vertical.
<b>FIRE DURATION RATING</b>	1-½ Hours
<b>TEMPERATURE RATING</b>	250°F
<b>OPERATION</b>	Interlocking Blades

#### Minimum Size:

100mm X 100mm

#### Maximum Size:

580 X 580mm as single section,

Multiple sections assembly with unlimited size where each section operates independently



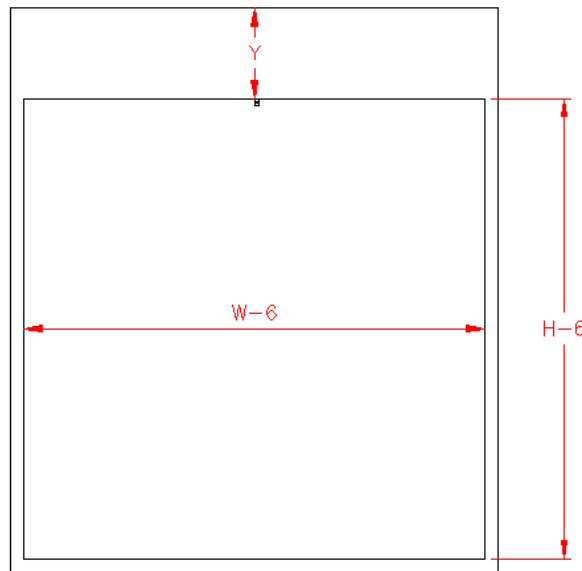
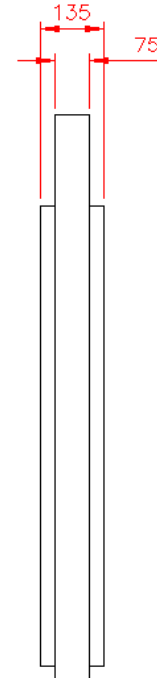
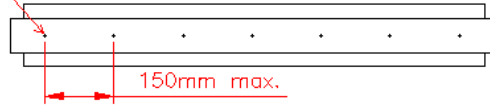
# MACS

AL MUTHATHAWERAH A/C SYSTEMS ACCESSORIES IND. CENTER L.L.C.

For details of multiple sections consult

MACS.

SS Rivet  $\phi$  5mm Min.



### Standard Sizes

Width mm	Height mm	Blades Number
100	100	3
150	150	4
200	200	4
250	250	5
300	300	6
350	350	6
400	400	7
450	450	8
500	500	8
550	600	9
600	700	13
650	800	14

[www.macsuae.com](http://www.macsuae.com)

Email: [info@macsuae.com](mailto:info@macsuae.com) Tel: +971 6 5351750, Fax: +971 6 5351740, P.O. Box: 81615

Address: Industrial Area - 15, Sharjah - U.A.E



**MACS**

AL MUTHATHAWERAH A/C SYSTEMS ACCESSORIES IND. CENTER L.L.C.

700	900	16
-----	-----	----

[www.macsuae.com](http://www.macsuae.com)

Email: [info@macsuae.com](mailto:info@macsuae.com) Tel: +971 6 5351750, Fax: +971 6 5351740, P.O. Box: 81615  
Address: Industrial Area - 15, Sharjah - U.A.E